



The transparency unit comes with the Professional model of the EPSON Expression 800 scanner. It's an option for the Executive and Artist models of the scanner.

Using the Transparency Unit

The optional transparency unit (part number B813152) lets you scan full color transparencies, strips of negatives or positives, and slides. You can also scan normal opaque documents with the TPU installed.

Follow the steps in these sections to install and use the TPU:

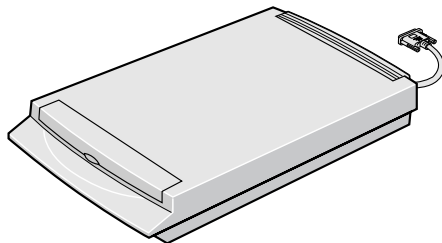
- ▶ [Unpacking the Transparency Unit](#)
- ▶ [Removing the Shipping Screw](#)
- ▶ [Installing the Transparency Unit](#)
- ▶ [Scanning Oversized Transparencies and Film](#)
- ▶ [Using the Film Guides](#)
- ▶ [Scanning Normal Documents with the Transparency Unit Installed](#)



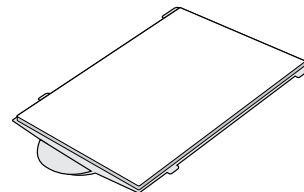
You can store the film guides in the storage area built into the TPU. However, it is recommended that you do not store the small 120/220-size film guide in the storage area.

Unpacking the Transparency Unit

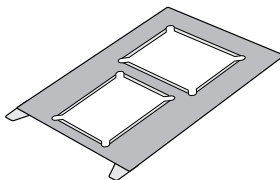
Make sure all these items are included in the box with the TPU. Contact your EPSON dealer if anything is missing or damaged.



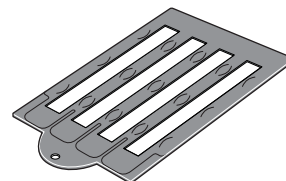
transparency unit



reflective document mat



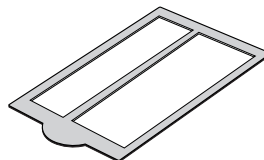
4 x 5-inch film guide



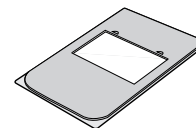
35 mm filmstrip guide



installation screws



35 mm slide transparency guide



120/220-size (medium format) film guide

Caution

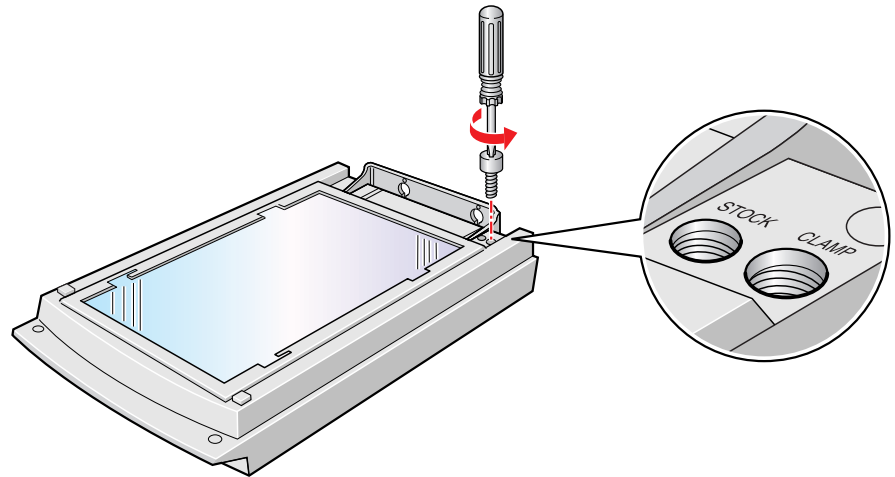


You may damage the TPU if you try to use it without removing the screw from the hole labeled CLAMP.

Removing the Shipping Screw

To prevent damage during shipping, a shipping screw is attached to the TPU to secure its lamp assembly. You must remove this screw before using the TPU.

- 1 Turn the TPU so the glass side faces up.
- 2 Use a Phillips head (cross head) screwdriver to remove the shipping screw from the hole labeled CLAMP, as shown below.



- 3 Install the screw in the storage hole labeled STOCK.



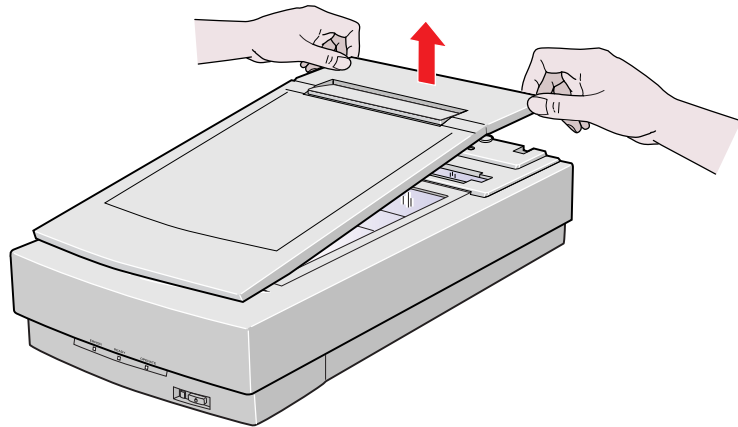
If you can't insert the shipping screw in the hole labeled CLAMP when you prepare the scanner for transportation, the TPU's lamp assembly may not be in its home position. If this is the case, slowly raise the front of the TPU to allow the lamp assembly to slide to the home position.

Before transporting the scanner, turn it off, remove the TPU, and reinstall the shipping screw in the outer shipping hole labeled CLAMP. The transportation lock at the back of the scanner must also be in the LOCK position before you move the scanner (see *Setting Up and Using Your Scanner*).

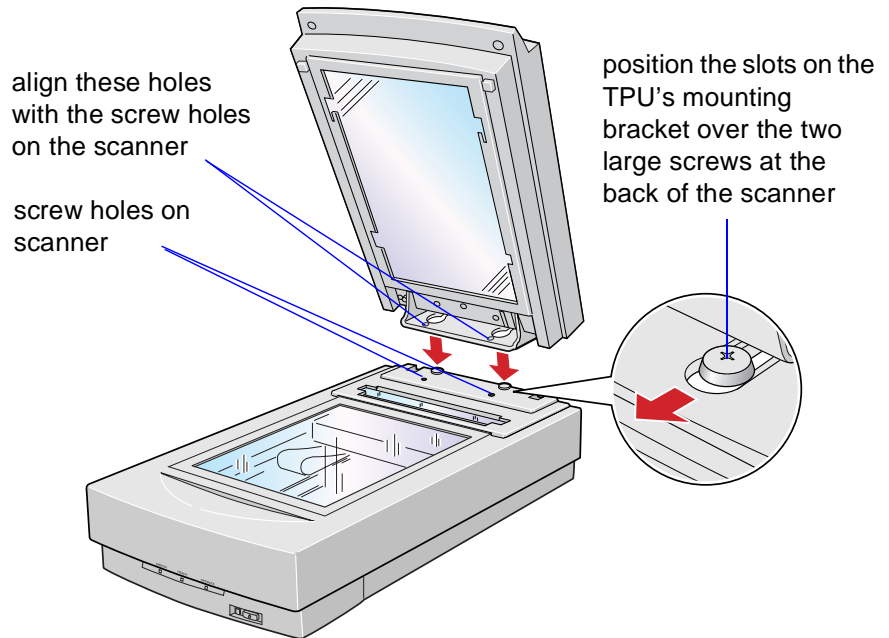
Installing the Transparency Unit

Follow the steps below to install the TPU:

- 1 Make sure the scanner is turned off. Then unplug the power cable from the scanner.
- 2 Remove the document cover by grasping the back of the document cover as shown and easing the cover up.

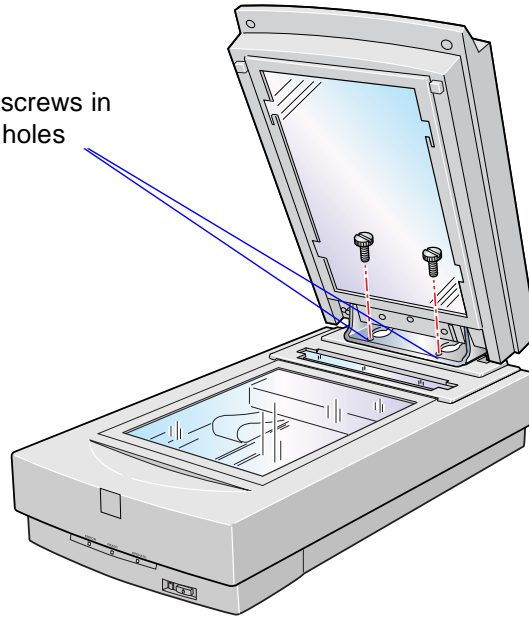


- 3 Position the slots on the TPU's mounting bracket over the heads of the two mounting screws located at the back of the scanner. Slide the TPU forward slightly until the two holes in front of these slots are aligned with the screw holes at the back of the scanner.



- 4 Insert the two installation screws that came with the TPU into the screw holes, then tighten the screws with a coin.

install the screws in
the screw holes



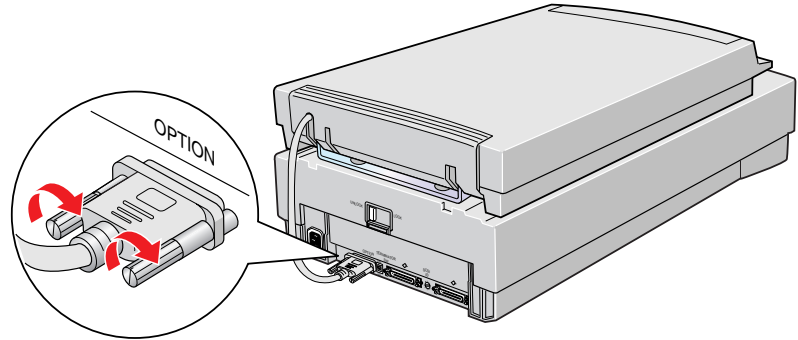
- 5 Gently close the TPU.

Caution



Do not put heavy objects on the TPU—doing so may damage the TPU.

- 6 Attach the TPU connector to the option connector at the back of the scanner. To secure the TPU connector, tighten the attached screws.



- 7 Plug the scanner back in and turn it on.



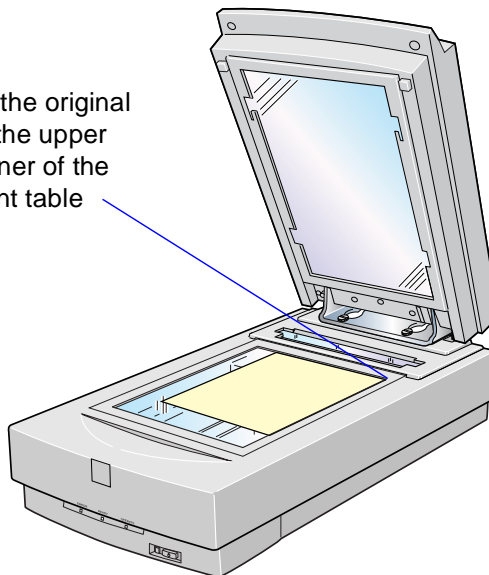
If you have the Artist or Professional model and are using LaserSoft SilverFast 4.0, you'll find the electronic manual for that scanner software on the LaserSoft SilverFast CD-ROM.

Scanning Oversized Transparencies and Film

To scan a transparency or film that is larger than any of the film guides, place the transparency or film face down on the document table. Position the corner of your original against the arrow in the upper right corner of the document table, as shown below. The maximum size of your transparency or film is 8.5 × 11.7 inches (216 × 297 mm).

Close the TPU and scan according to the instructions in your electronic *EPSON TWAIN Pro User's Guide* or *LaserSoft SilverFast Lite User's Guide*. (You'll find both guides in the Manuals folder on your EPSON Expression 800 Scanning Tools CD-ROM.)

position the original against the upper right corner of the document table



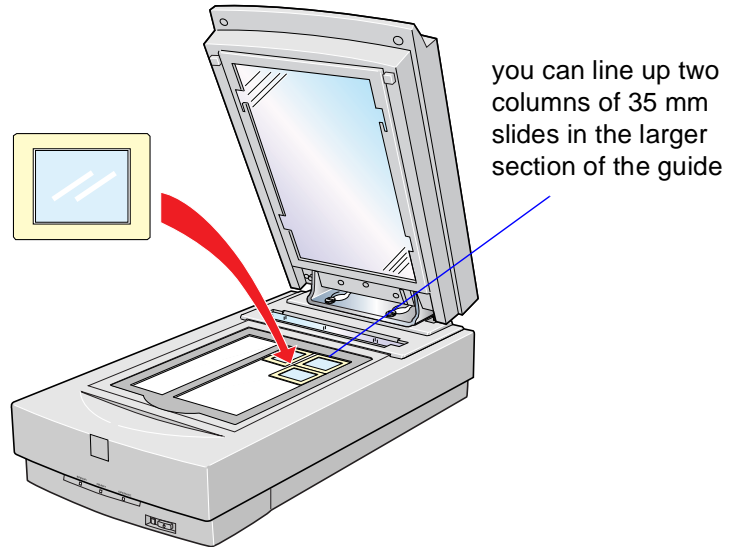
Using the Film Guides

You can use the four film guides that came with the TPU to scan 35 mm slides, strips of 35 mm negative or positive film, 120-size or 220-size format film, and 4 × 5-inch (102 × 127 mm) film. Follow the steps in these sections:

- ▶ [Loading 35 mm slides](#)
- ▶ [Loading strips of 35 mm negative or positive film](#)
- ▶ [Loading medium format size \(120 or 220-size format\) film](#)
- ▶ [Loading 4 x 5-inch film](#)

Loading 35 mm slides

- 1 Position the slide transparency guide on the document table, as shown below. The upper and right edges of the guide should be flush against the ruled edges of the document table.



you can line up two columns of 35 mm slides in the larger section of the guide



If you have the Artist or Professional model and are using LaserSoft SilverFast 4.0, you'll find the electronic manual for that scanner software on the LaserSoft SilverFast CD-ROM.

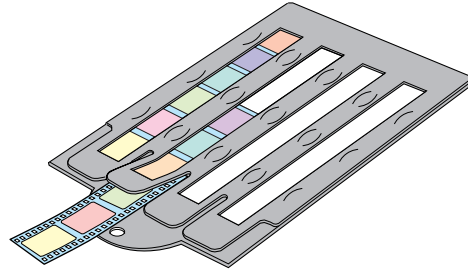
- 2 Carefully position each slide inside the guide, making sure that the glossy (smooth) side of the film is facing down and the emulsion side is facing up.
- 3 Close the TPU and scan the slides according to your electronic *EPSON TWAIN Pro User's Guide* or *LaserSoft SilverFast Lite User's Guide*. (You'll find both these guides in the Manuals directory on your EPSON Expression 800 Scanning Tools CD-ROM.)



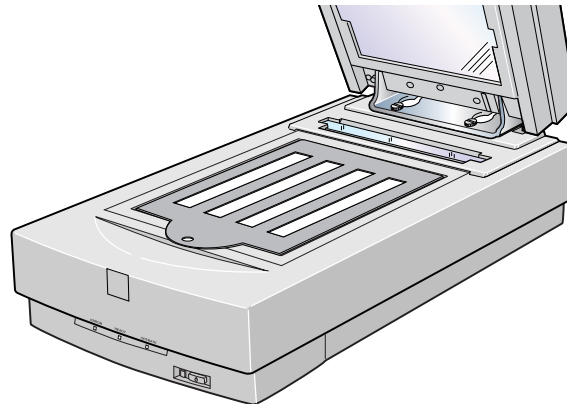
If your film strip is longer than the film guide, it may affect the quality of the scan.

Loading strips of 35 mm negative or positive film

- 1 Insert the film strips face down in the filmstrip guide.



- 2 Place the filmstrip guide on the document table. Make sure the glossy (smooth) side of the film is facing down and the emulsion side is facing up. Align the upper and right edges of the guide with the ruled edges of the document table.



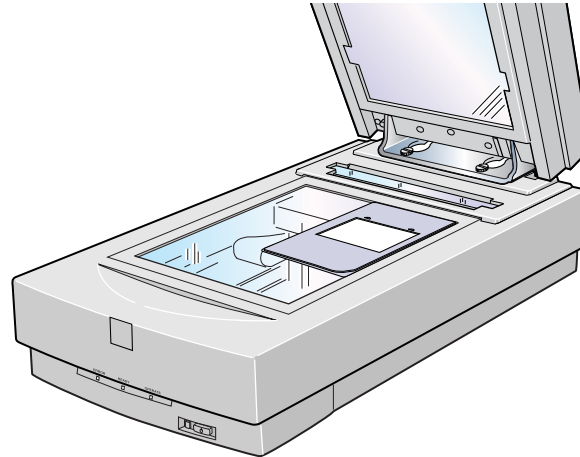


If you have the Artist or Professional model and are using LaserSoft SilverFast 4.0, you'll find the electronic manual for that scanner software on the LaserSoft SilverFast CD-ROM.

- 3 Close the TPU and scan the film according to the instructions in your electronic *EPSON TWAIN Pro User's Guide* or *LaserSoft SilverFast Lite User's Guide*.

Loading medium format size (120 or 220-size format) film

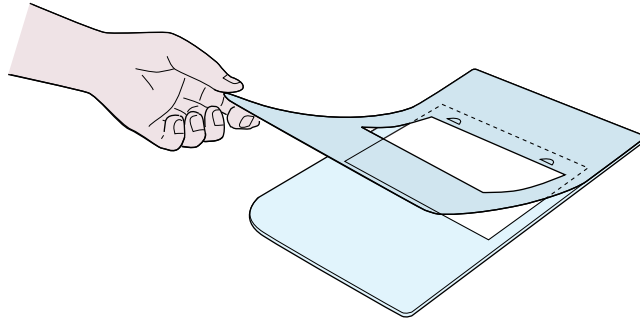
- 1 Place the 120/220-size film guide on the scanner's document table, fitting one corner of the guide against the upper right corner of the document table.





If you have the Artist or Professional model and are using LaserSoft SilverFast 4.0, you'll find the electronic manual for that scanner software on the LaserSoft SilverFast CD-ROM.

- 2 Place the film inside the guide, making sure that the area you want to scan is aligned with the open scan area in the guide. The glossy (smooth) side of the film should be facing down and the emulsion side should be facing up.



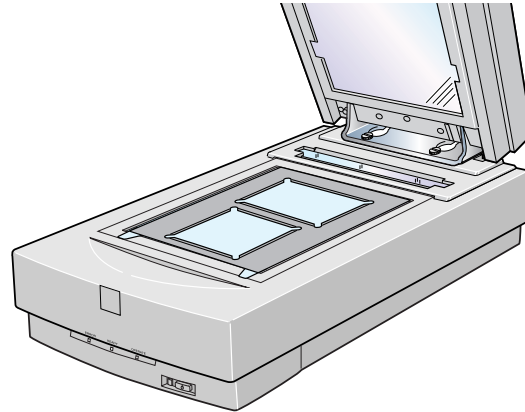
- 3 Close the TPU and scan the film according to the instructions in your electronic *EPSON TWAIN Pro User's Guide* or *LaserSoft SilverFast Lite User's Guide*. (You'll find both guides in the Manuals folder of your EPSON Expression 800 Scanning Tools CD-ROM.)



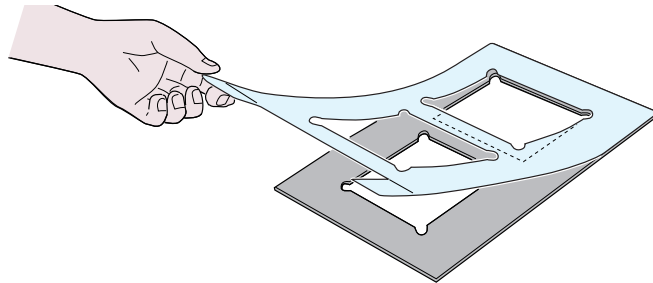
If you have the Artist or Professional model and are using LaserSoft SilverFast 4.0, you'll find the electronic manual for that scanner software on the LaserSoft SilverFast CD-ROM.

Loading 4 x 5-inch film

- 1 Place the 4 × 5-inch film guide on the document table.



- 2 Place the film inside the guide, aligning the area you want to scan with the scan areas on the guide. Make sure the smooth (glossy) side of your film is facing down and the emulsion side is facing up.

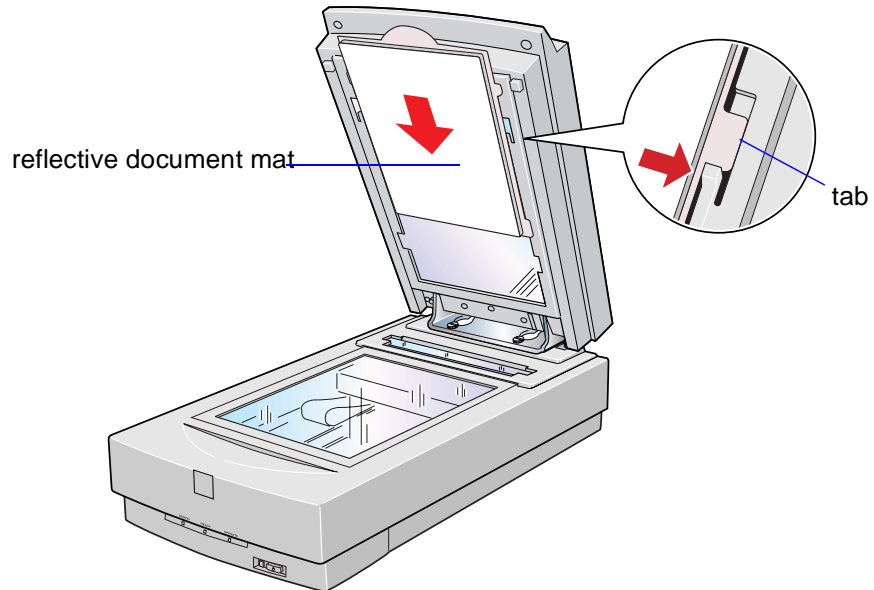


- 3 Close the TPU. Scan according to the instructions in your online *EPSON TWAIN Pro User's Guide* or *LaserSoft SilverFast Lite User's Guide*.

Scanning Normal Documents with the Transparency Unit Installed

To scan normal documents with the TPU installed, insert the reflective document mat included with the TPU as described below.

- 1 Open the TPU. If there's a film guide on the document table, remove it.
- 2 Insert the tabs on the reflective document mat into the slots on the TPU and slide the mat down until the tabs are secure.



- 3 Place your document on the document table and close the TPU.



If you have the Artist or Professional model and are using LaserSoft SilverFast 4.0, you'll find the electronic manual for that scanner software on the LaserSoft SilverFast CD-ROM.

- 4 Scan according to the instructions in your electronic *EPSON TWAIN Pro User's Guide* or *LaserSoft SilverFast Lite User's Guide* (you'll find both guides in the Manuals folder on your EPSON Expression 800 Scanning Tools CD-ROM). Set your Document Source to **Flatbed** (TWAIN Pro) or your Document Type to **Reflective** (SilverFast Lite).

To remove the reflective document mat, slide it up until you can disengage the tabs from the slots, then gently pull it out of the TPU.